

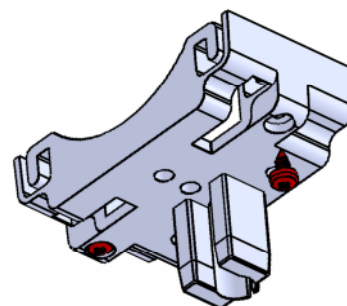
INDOOR
 SYSTEM **19x27**
 SYSTEM **25x25**
 SYSTEM **MAX25**
OUTDOOR
 SYSTEM **40x40**
 SYSTEM **56x58**



STOTTAN & Co GmbH
 High Tech Blind Components
 Industriestrasse 12-14
 AT 2201 Gerasdorf/Wien
 tel. +43 1/ 734 66 70-0
 fax +43 1/ 734 66 70-150
 mail sales@stottan.com
 web www.stottan.com

New Holder for Guide Rail (with screws)

The new SECURE guide rail holder can be fixed with two screws in the head rail. The fixation with screws instead of clamping, avoids inaccurate and unstable fixation of the holder. Also this new SECURE holder is again in two different versions for different guide rails available.



- **for head rail 56x58mm**
- **can be fixed easy with 2 screws**
- **more certain carriage of the guide rail**
- **cost effective and stable**
- **screws are already mounted**

art. code	description	packing
819 062	Guide rail holder SECURE (with screws) black	100 pcs
819 063	Guide rail holder SECURE (with screws) grey	100 pcs

Ask now for your best price and a free sample:

company/name

street

ZIP, town

email

fax back to +43 1/ 734 66 70 150